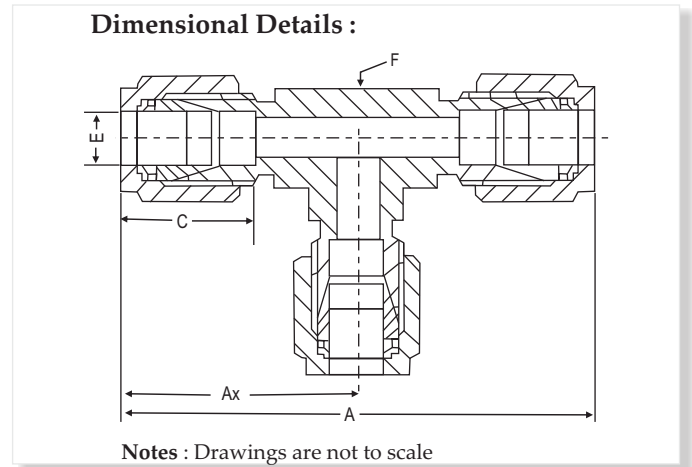


UNION TEE



Dimension, in.

Tube OD	Part Number	A	Ax	C	E	F
1/8	KTU2	1.76	0.88	0.50	0.09	3/8
1/4	KTU4	2.12	1.06	0.60	0.19	1/2
5/16	KTU5	2.34	1.17	0.64	0.25	5/8
3/8	KTU6	2.40	1.20	0.66	0.28	5/8
1/2	KTU8	2.84	1.42	0.90	0.41	13/16
5/8	KTU10	3.06	1.53	0.96	0.50	1
3/4	KTU12	3.14	1.57	0.96	0.62	1 1/16
7/8	KTU14	3.52	1.76	1.02	0.72	1 3/8
1	KTU16	3.86	1.93	1.23	0.88	1 3/8

Dimension, mm.

Tube OD	Part Number	A	Ax	C	E	F
6	KTUM6	53.9	27.0	15.3	4.8	1/2
8	KTUM8	59.7	29.9	16.2	6.4	5/8
10	KTUM10	63.0	31.5	17.2	7.9	11/16
12	KTUM12	72.0	36.0	22.8	9.5	13/16
16	KTUM16	77.6	38.8	24.4	12.7	1
18	KTUM18	79.6	39.8	24.4	15.1	1 1/16
20	KTUM20	89.3	44.6	26.0	15.9	1 3/8
22	KTUM22	89.3	44.6	26.0	18.3	1 3/8
25	KTUM25	98.3	49.1	31.3	21.8	1 3/8

Note:

- A and C dimensions are typical finger-tight

Dimensions and specifications shown are approximate, may vary from time to time.

Ventil tube fittings are ordered by part numbers as listed in this catalogue and other sizes will be available on request.